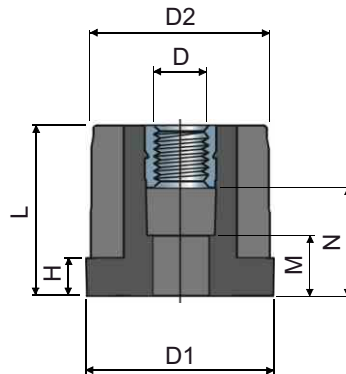
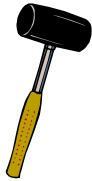


Threaded Bushings for conveyor flanks

Part. 68

Pressure fitted

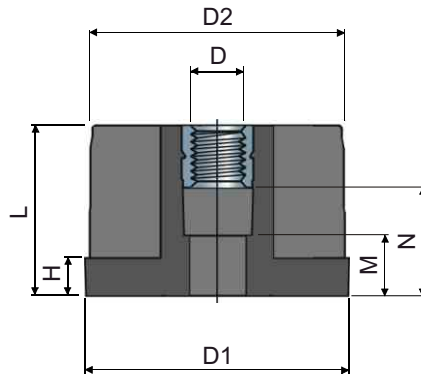
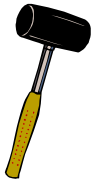


Tube dimensions

Outside mm	Thickness mm	Inside mm	Thread D	D1 mm	D2 mm	H mm	L mm	M mm	N mm	Code/Codice
20x20	1,5	17x17	M8	20x20	17x17	5	28	13	18	68 / 7869

Part. 82

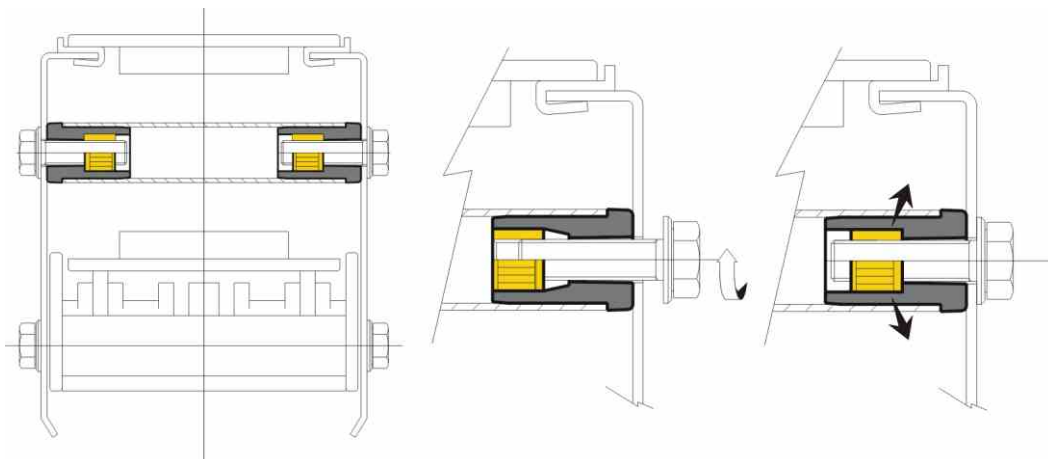
Pressure fitted



Tube dimensions

Outside mm	Thickness mm	Inside mm	Thread D	D1 mm	D2 mm	H mm	L mm	M mm	N mm	Code/Codice
20x50	2	16x46	M8	20x50	16x46	5	28	13	18	82 / 80328

Exemple of application



Material: Bush in reinforced polyamide, threaded insert in brass.
Packaging: 24 pieces.

On request

Packaging: not standard.