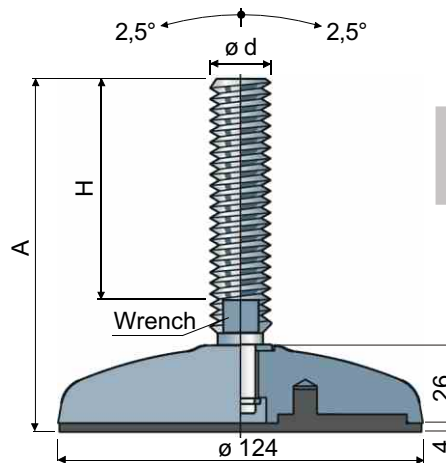


# Articulated feet base in nickel plated steel



**Ø 124 Part. 99**

Ø d	A mm	H mm	Wrench mm	Spindle in zinc plated steel	Spindle in stainless steel AISI 304	Max static load N
				Code/Codice	Code/Codice	
<b>M16</b>	104	58	13	<b>99 / 7556</b>	<b>99 / 7557</b>	55000
	165	119	13	<b>99 / 7914</b>	<b>99 / 7915</b>	
	191	145	13	<b>99 / 7194</b>	<b>99 / 7195</b>	
	247	201	13	<b>99 / 7196</b>	<b>99 / 7197</b>	
<b>M20</b>	156	107	17	<b>99 / 7198</b>	<b>99 / 7199</b>	56000
	184	135	17	<b>99 / 7558</b>	<b>99 / 7559</b>	
	206	157	17	<b>99 / 7200</b>	<b>99 / 7201</b>	
<b>M24</b>	142	90	19	<b>99 / 7202</b>	<b>99 / 7203</b>	57000
	179	127	19	<b>99 / 7560</b>	<b>99 / 7561</b>	
	214	162	19	<b>99 / 7204</b>	<b>99 / 7205</b>	
<b>M30</b>	177	125	24	<b>99 / 7206</b>	<b>99 / 7207</b>	58000
	237	185	24	<b>99 / 7208</b>	<b>99 / 7209</b>	

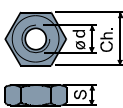
**Base material:** nickel plated steel.

**Packaging:** 8 pieces.

**Features:** The feet is complete with anti-slip pad made out of P.V.C rubber.

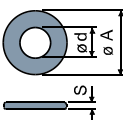
## Accessories

**Nuts UNI 5588-65 - Packaging:** 24 pieces.



Ø d	M16	M20	M24	M30
Smm	13	16	19	24
Ch. mm	24	30	36	46
Zinc plated steel code	7275	7276	7279	7281
Stainless steel code	7277	7278	7280	7282

**Washers UNI 6592-69 - Packaging:** 24 pieces.



Ø d mm	17	21	25	31
Smm	3	3	4	4
Ø A mm	30	37	44	56
Zinc plated steel code	7289	7290	7293	7295
Stainless steel code	7291	7292	7294	7296

## On request

**Spindles with:** Sunk hexagon head • second wrench seat head • hexagon wrench seat • threads with other pitches and lengths.

**Packaging:** not standard.

**Assembling of:** nuts • washers.