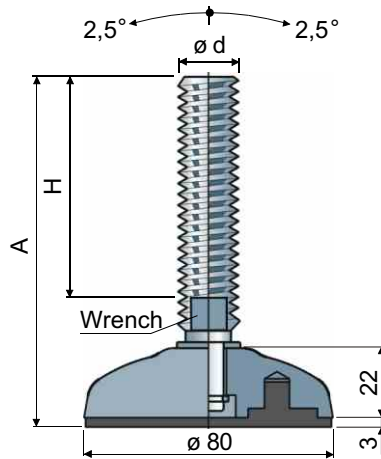


# Articulated feet

base in nickel plated steel



**Ø 80** Part. **95**

Ø d	A mm	H mm	Wrench mm	Spindle in zinc plated steel	Spindle in stainless steel AISI 304	Max static load N
				Code/Codice	Code/Codice	
M16	101	58	13	95 / 7532	95 / 7533	46000
	162	119	13	95 / 7910	95 / 7911	
	188	145	13	95 / 7534	95 / 7535	
	244	201	13	95 / 7536	95 / 7537	
M20	153	107	17	95 / 7538	95 / 7539	47000
	181	135	17	95 / 7540	95 / 7541	
	203	157	17	95 / 7542	95 / 7543	
	139	90	19	95 / 7544	95 / 7545	
M24	176	127	19	95 / 7546	95 / 7547	48000
	211	162	19	95 / 7548	95 / 7549	

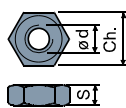
**Base material:** nickel plated steel.

**Packaging:** 8 pieces.

**Features:** The feet is complete with anti-slip pad made out of P.V.C rubber.

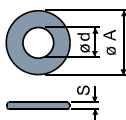
## Accessories

**Nuts** UNI 5588-65 - **Packaging:** 24 pieces.



Ø d	M16	M20	M24
Smm	13	16	19
Ch. mm	24	30	36
Zinc plated steel code	7275	7276	7279
Stainless steel code	7277	7278	7280

**Washers** UNI 6592-69 - **Packaging:** 24 pieces.



Ø d mm	17	21	25
Smm	3	3	4
Ø A mm	30	37	44
Zinc plated steel code	7289	7290	7293
Stainless steel code	7291	7292	7294

## On request

**Spindles with:** Sunk hexagon head • second wrench seat head • hexagon wrench seat • threads with other pitches and lengths.

**Packaging:** not standard.

**Assembling of:** nuts • washers.