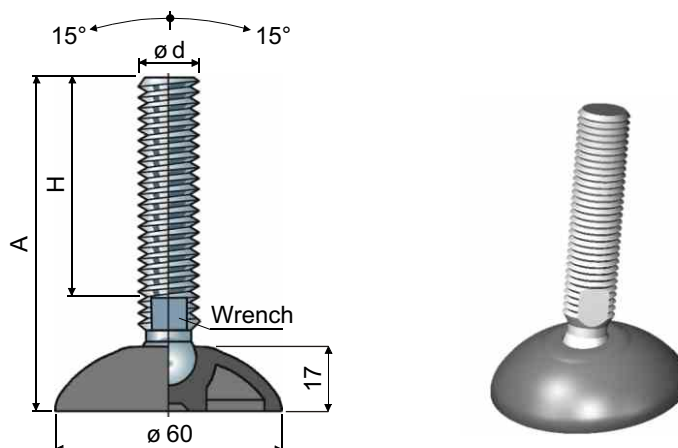


Articulated feet

Base in reinforced polyamide

Part. **18** **Ø 60**



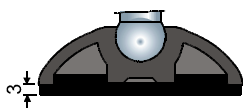
| Ø d | A mm | H mm | Wrench mm | Spindle in zinc plated steel | Spindle in stainless steel AISI 304 | Max static load N |
|-----|------|------|-----------|------------------------------|-------------------------------------|-------------------|
| | | | | Code/Codice | Code/Codice | |
| M8 | 72 | 45 | 6 | 18 / 7402 | 18 / 7403 | 12000 |
| | 92 | 65 | 6 | 18 / 7404 | 18 / 7405 | |
| | 134 | 107 | 6 | 18 / 7898 | 18 / 7899 | |
| M10 | 64 | 35 | 8 | 18 / 7036 | 18 / 7037 | 13000 |
| | 99 | 70 | 8 | 18 / 7038 | 18 / 7039 | |
| | 144 | 115 | 8 | 18 / 7040 | 18 / 7041 | |
| M12 | 74 | 43 | 10 | 18 / 7042 | 18 / 7043 | 14000 |
| | 94 | 63 | 10 | 18 / 7044 | 18 / 7045 | |
| | 109 | 77 | 10 | 18 / 7406 | 18 / 7407 | |
| | 124 | 93 | 10 | 18 / 7046 | 18 / 7047 | |
| M14 | 154 | 123 | 10 | 18 / 7048 | 18 / 7049 | 15000 |
| | 94 | 61 | 12 | 18 / 7050 | 18 / 7051 | |
| | 124 | 91 | 12 | 18 / 7052 | 18 / 7053 | |
| M16 | 149 | 116 | 12 | 18 / 7888 | 18 / 7889 | 17000 |
| | 95 | 60 | 13 | 18 / 7054 | 18 / 7055 | |
| | 125 | 90 | 13 | 18 / 7408 | 18 / 7409 | |
| | 140 | 105 | 13 | 18 / 7056 | 18 / 7057 | |
| | 160 | 125 | 13 | 18 / 7058 | 18 / 7059 | |
| | 190 | 155 | 13 | 18 / 7410 | 18 / 7411 | |
| M20 | 200 | 165 | 13 | 18 / 7060 | 18 / 7061 | 19000 |
| | 125 | 86 | 17 | 18 / 7062 | 18 / 7063 | |
| | 155 | 116 | 17 | 18 / 7064 | 18 / 7065 | |
| | 180 | 141 | 17 | 18 / 7066 | 18 / 7067 | |
| | 245 | 206 | 17 | 18 / 7068 | 18 / 7069 | |

Base material: reinforced polyamide.
Packaging: 24 pieces.

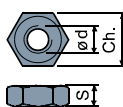
Accessories

Anti-slip pads:

- code: 7265;
 material: PVC rubber (black);
 packaging: 24 pieces.

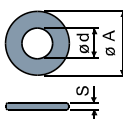


Nuts UNI 5588-65 -Packaging: 24 pieces.



| Ø d | M8 | M10 | M12 | M14 | M16 | M20 |
|------------------------|------|------|------|------|------|------|
| Smm | 6,5 | 8 | 10 | 11 | 13 | 16 |
| Ch. mm | 13 | 17 | 19 | 22 | 24 | 30 |
| Zinc plated steel code | 7634 | 7269 | 7270 | 7271 | 7275 | 7276 |
| Stainless steel code | 7635 | 7272 | 7273 | 7274 | 7277 | 7278 |

Washers UNI 6592-69- Packaging: 24 pieces.



| Ø d mm | 8,4 | 10,5 | 13 | 15 | 17 | 21 |
|------------------------|------|------|------|------|------|------|
| Smm | 1,6 | 2 | 2,5 | 2,5 | 3 | 3 |
| Ø A mm | 17 | 21 | 24 | 28 | 30 | 37 |
| Zinc plated steel code | 7636 | 7283 | 7284 | 7285 | 7289 | 7290 |
| Stainless steel code | 7637 | 7286 | 7287 | 7288 | 7291 | 7292 |

On request

Bases: In reinforced polypropylene • other colours.
Spindles with: Sunk hexagon head • second wrench seat head • hexagon wrench seat • threads with other pitches and lengths.
Packaging: not standard.
Assembling of: Anti-slip pads • nuts • washers.