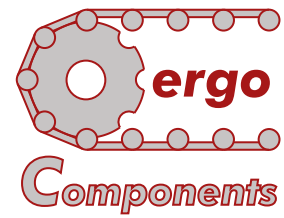
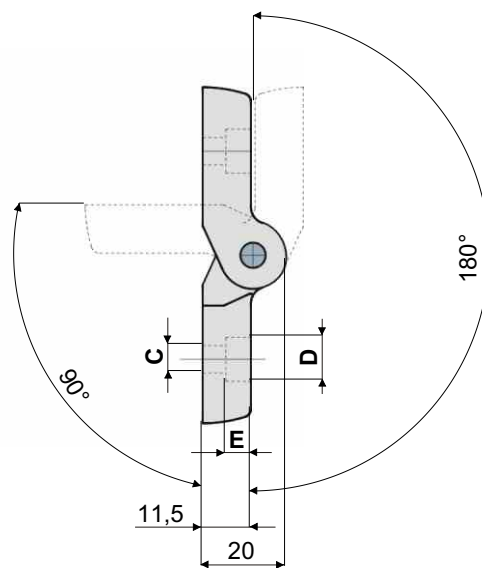
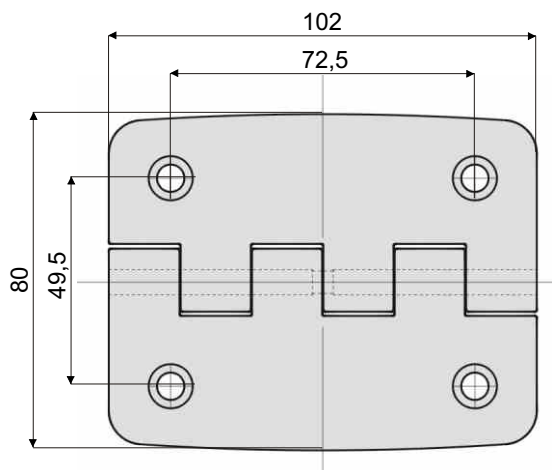


Hinge



Part. 234



C	D	E	Code/Codice
(mm)			
6,5	10,5	6	234 / 80776
8,5	13,5	8	234 / 80777

MATERIALS: Hinge made out of reinforced polyamide, pin made out of stainless steel.

FEATURES: Maximum rotation 270°

PACKAGING: 24 pieces.

ON REQUEST:

Hinges: In reinforced polypropylene, other colours.

Packaging: Not standard.