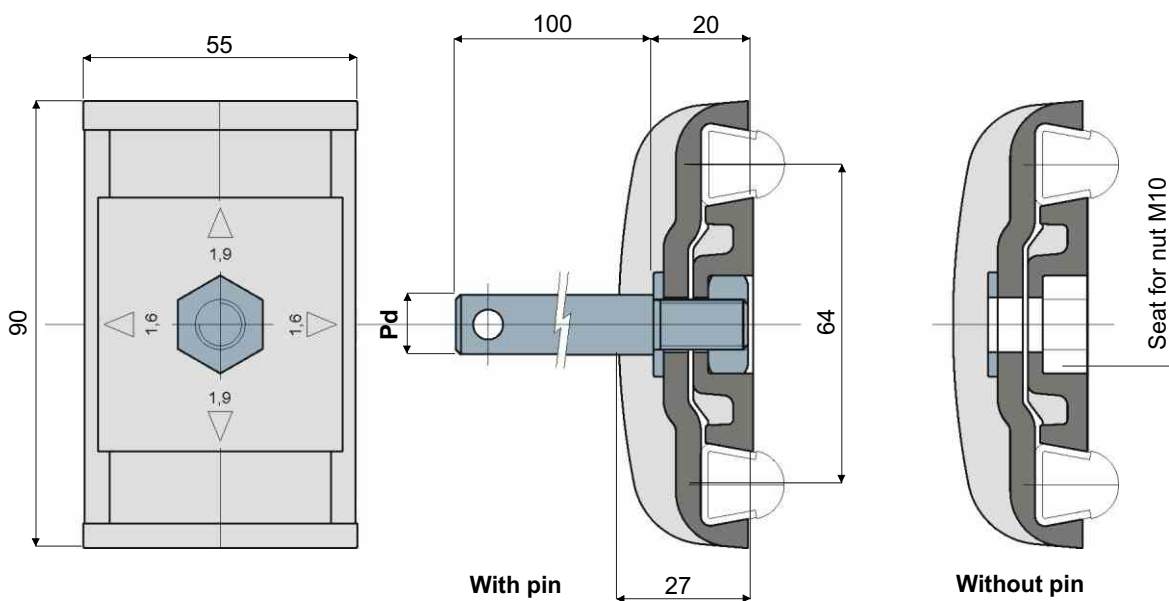
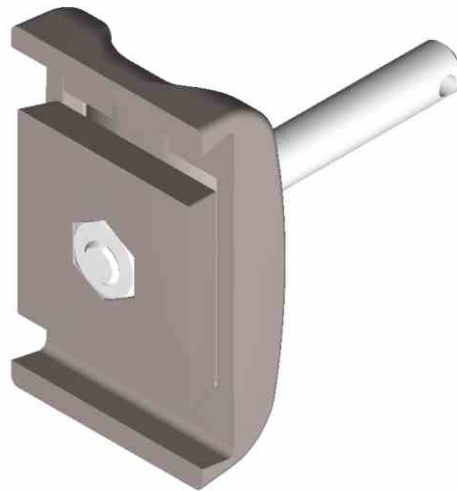


# Guide rail clamp

(for trapezoidal rails)

Part. 230



Pd Pin diameter (mm)	With pin	Without pin
	Code/Codice	Code/Codice
12	230 / 80684	230 / 80611
14	230 / 80685	
16	230 / 80686	

**MATERIALS:** Clamp made out of reinforced polyamide, pin, nut and washer made out of stainless steel AISI 304.

**FEATURES:** Supplied with or without support pin. This part allows to use rails with thickness of 1,5 and 2 mm, by rotating for 90° the central plate.

**PACKAGING:** 24 pieces.

**ON REQUEST:**

**Clamps:** In reinforced polypropylene, other colours.

**Packaging:** Not standard.