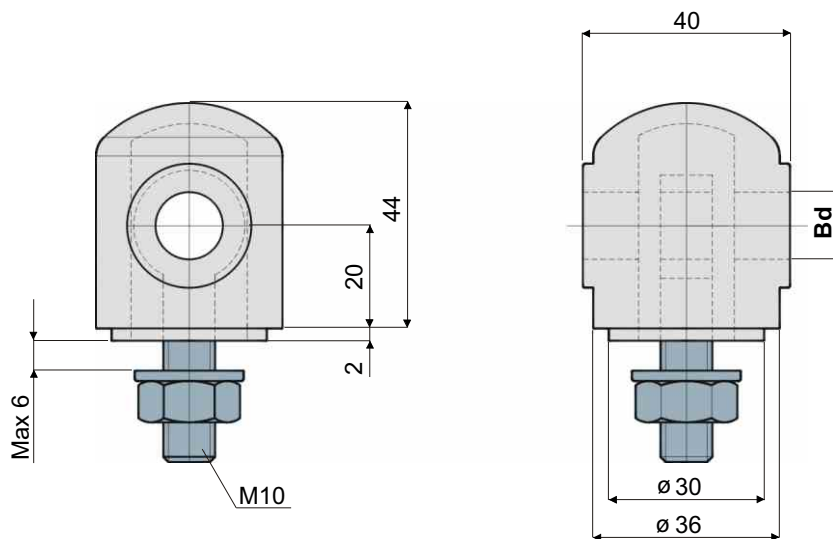


Head for bracket



Bd Bore for pin of (mm)	Code/Codice
12	222 / 80671
14	222 / 80672
16	222 / 80673

MATERIALS: Head made out of reinforced polyamide, eyebolt made out of nickel plated brass, nut and washer made out of stainless steel AISI 304.

FEATURES: To use with bracket Part.220. Max tightening torque 4 Kgm.

PACKAGING: 24 pieces.

ON REQUEST :

Heads: Heads made out of reinforced polypropylene, other colours.

Packaging: Not standard