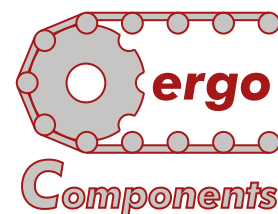
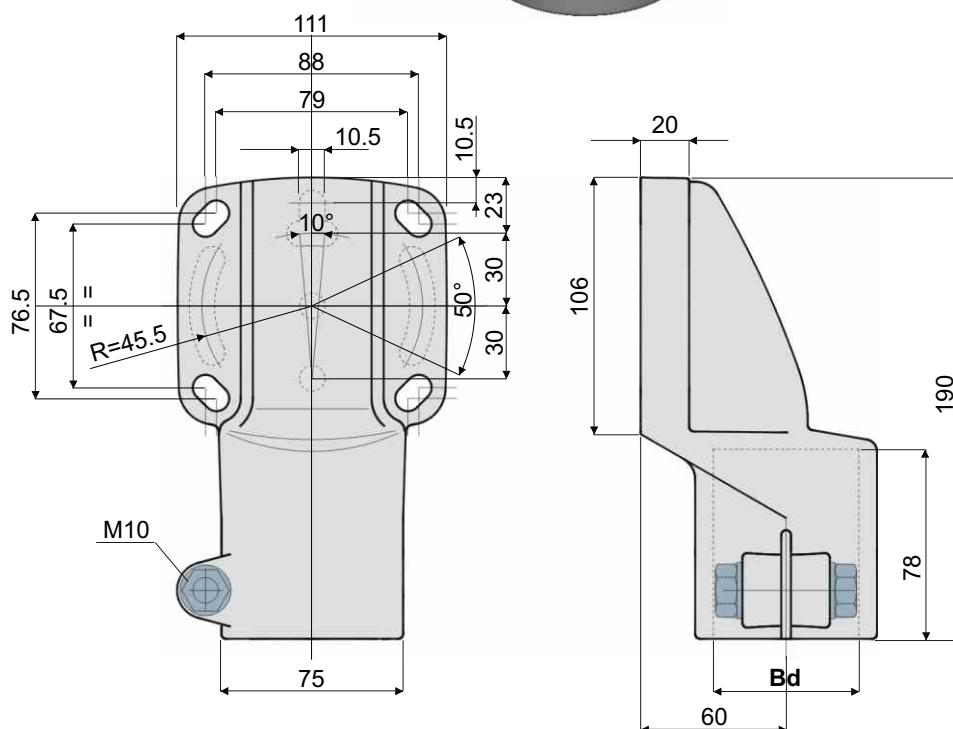
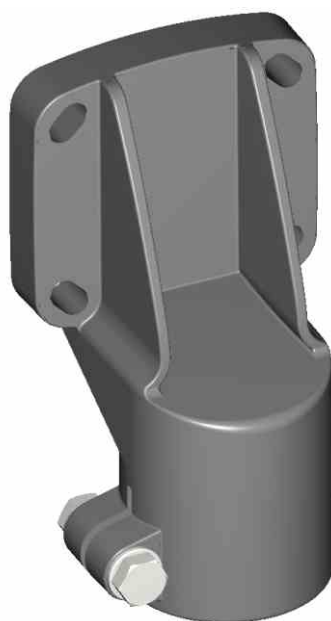


# Side mounting top bracket



Part. 207



Bd Bore for tube of (mm) (Inches)	Zinc plated bolts and nuts	Stainless steel bolts and nuts (AISI 304)
	Code/Codice	Code/Codice
60,3 2"	207 / 80790	207 / 80791
48,3 1 1/2"	207 / 80792	207 / 80793
42,4 1 1/4"	207 / 80794	207 / 80795
45x45 square tube	207 / 80796	207 / 80797

**MATERIALS:** Top bracket made out of reinforced polyamide, bolts and nuts made out of stainless steel or zinc plated steel.

**FEATURES:** Max tightening torque 3,6 kgm.

**PACKAGING:** 8 pieces.

## ON REQUEST :

**Top bracket:** In reinforced polypropylene, other colours.

**Packaging:** Not standard.

**Assembling of:** Screws, nuts, washers.