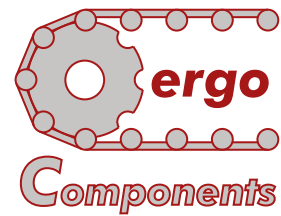
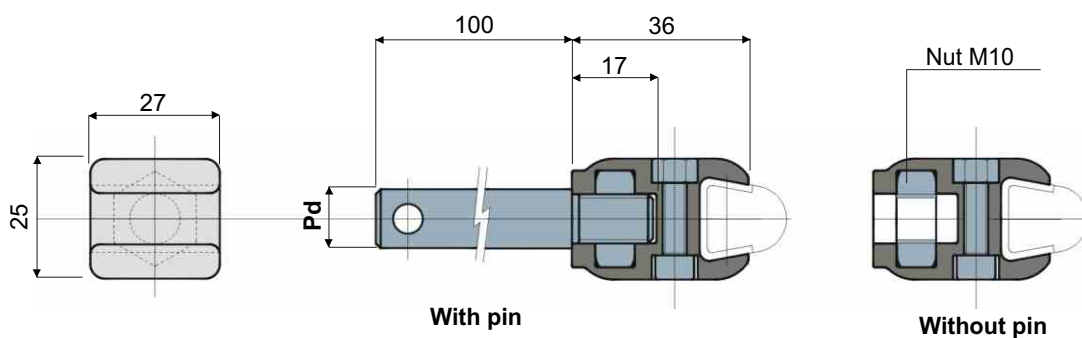
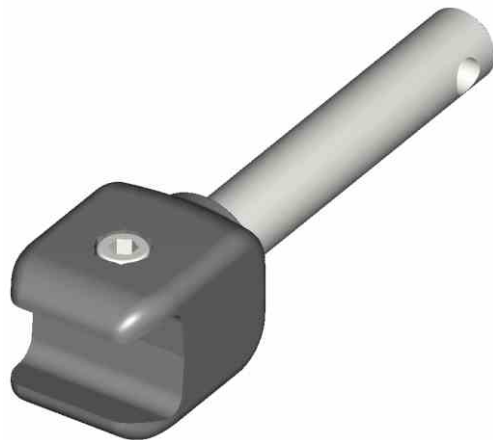


Guide rail clamp

(for trapezoidal rail)



Part. 205



Pd Pin diameter (mm)	With pin Code/Codice	Without pin Code/Codice
12	205 / 80814	205 / 80817
14	205 / 80815	
16	205 / 80816	

MATERIALS: Clamp made out of reinforced polyamide, pin, bolts and nuts made out of stainless steel AISI 304.

FEATURES: Supplied with or without support pin. This part allows to use rails with thickness of 1,5 and 2 mm.

PACKAGING: 24 pieces.

ON REQUEST:

Clamps: In reinforced polypropylene, other colours.

Packaging: Not standard.