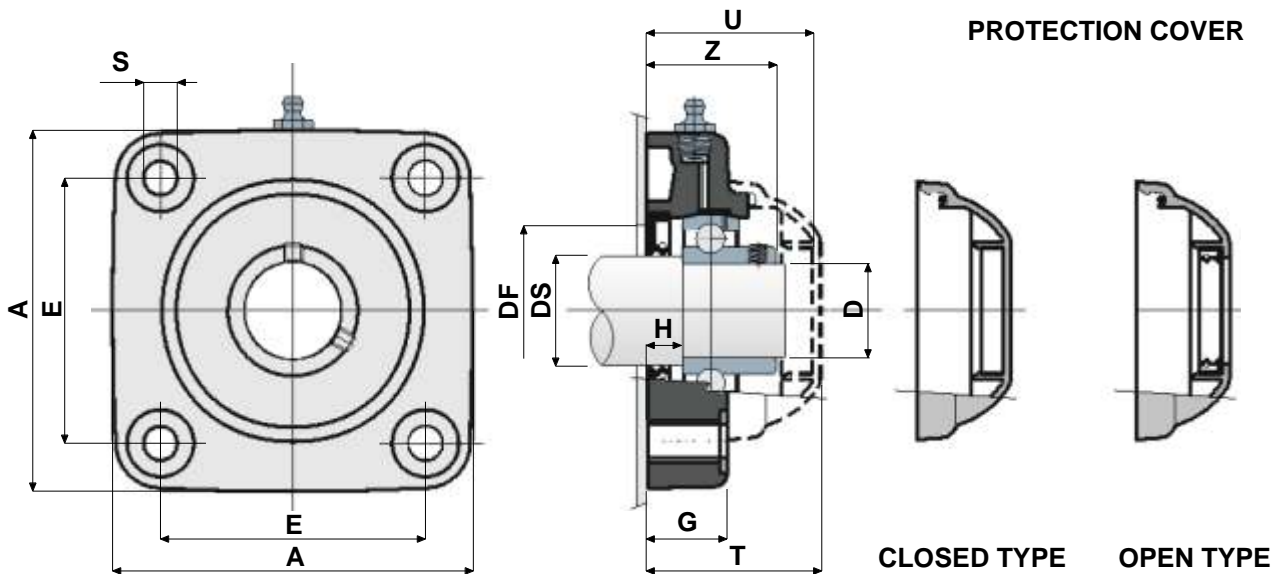


Technical data

UCF/CS Series



CROME STEEL BEARING

DS	D	SERIES	CODES Support	DIMENSIONS (mm)										Bearing load (N)		Bearing support load (N)	CODES Cover	
				E	A	S	G	H	Z	U	T	DF _{Max}	DF _{Min}	C	C ₀		CLOSED TYPE	OPEN TYPE
25	20	UCF 204 CS	80260	63.5	90	10.5	19	8.5	33.5	44	46.5	45	40	12800	6600	16500	80254	80255
30	25	UCF 205 CS	80178	70	99	10.5	22	10	36	47	49	50	45	14000	7800	17000	80075	80076
35	30	UCF 206 CS	80179	83	113	10.5	26	11.5	41	54	56	60	50	19500	11300	17500	80011	80053
40	35	UCF 207 CS	80180	92	122	10.5	26	10.5	45	57	59	70	55	25500	15300	18000	80077	80078
45	40	UCF 208 CS	80261	102	133	10.5	26	9	48.5	65	68	78	65	32500	19800	18000	80256	80257
45	40	MUCF 208 CS	80713	83	113	10.5	26	9	48.5	65	68	78	65	32500	19800	18000	80256	80257

MATERIALS : Support made out of PA+glass fiber; chrome steel bearing; greaser made out of nickel plated brass; reinforcement bushings and washers made out of stainless steel AISI 304; gaskets made out of NBR rubber; cover made out of polypropylene, grey colour RAL 7042.

FEATURES: Back gasket for shouldered shafts. Use of shouldered shafts allows a higher capability of axial load.
Maximum shaft alignment error 2.5°.

PACKAGING: 8 pieces.

ON REQUEST : Antibacterial executions and versions with polypropylene + glass fiber support; protection cover in different colours and with personalized brand; bearing made out of AISI 440C stainless steel.