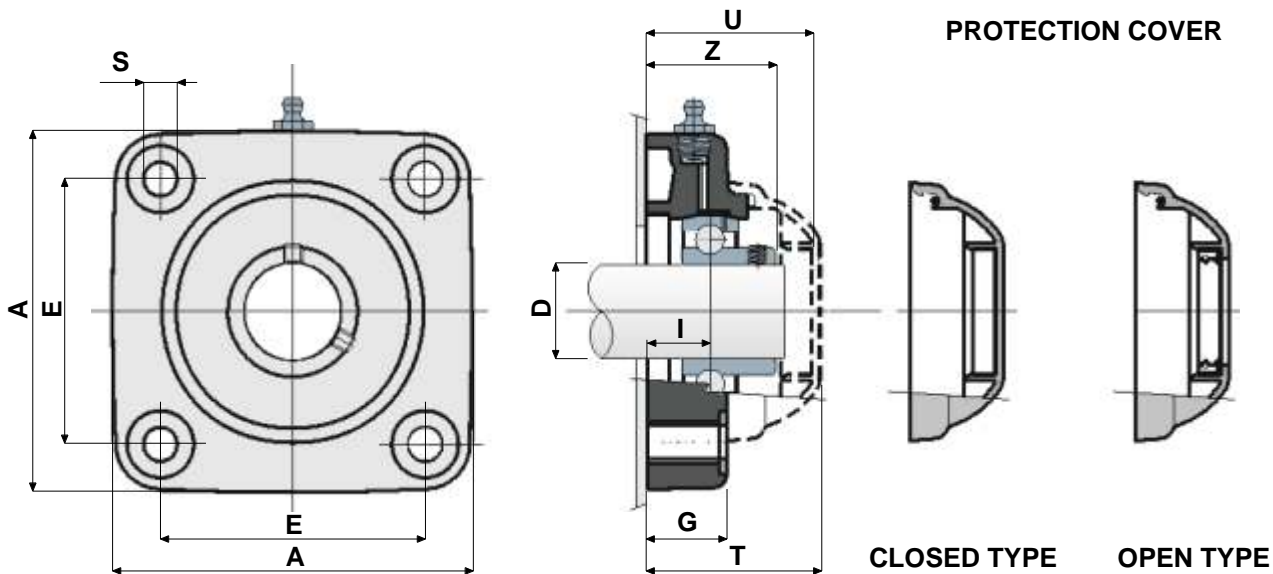


Technical data

UCF Series



CROME STEEL BEARING

D	SERIES	CODES Support	DIMENSIONS (mm)								Bearing load (N)		Bearing support load (N)	CODES Cover	
			E	A	S	G	I	Z	U	T	C	C ₀		CLOSED TYPE	OPEN TYPE
20	UCF 204	80258	63.5	90	10.5	19	15.5	33.5	44	46.5	12800	6600	16500	80254	80255
25	UCF 205	80054	70	99	10.5	22	17	36	47	49	14000	7800	17000	80075	80076
30	UCF 206	80010	83	113	10.5	26	20	41	54	56	19500	11300	17500	80011	80053
35	UCF 207	80055	92	122	10.5	26	20	45	57	59	25500	15300	18000	80077	80078
40	UCF 208	80259	102	133	10.5	26	19.5	48.5	65	68	32500	19800	18000	80256	80257
40	MUCF 208	80712	83	113	10.5	26	19.5	48.5	65	68	32500	19800	18000	80256	80257

NEW

STAINLESS STEEL BEARING AISI 440C

D	SERIES	CODES Support	DIMENSIONS (mm)								Bearing load (N)		Bearing support load (N)	CODES Cover	
			E	A	S	G	I	Z	U	T	C	C ₀		CLOSED TYPE	OPEN TYPE
20	UCF 204	80514	63.5	90	10.5	19	15.5	33.5	44	46.5	8300	6550	16500	80254	80255
25	UCF 205	80515	70	99	10.5	22	17	36	47	49	9150	7800	17000	80075	80076
30	UCF 206	80976	83	113	10.5	26	20	41	54	56	12500	11200	17500	80011	80053
35	UCF 207	81052	92	122	10.5	26	20	45	57	59	16600	15300	18000	80077	80078
40	UCF 208	80695	102	133	10.5	26	19.5	48.5	65	68	20000	19000	18000	80256	80257
40	MUCF 208	81045	83	113	10.5	26	19.5	48.5	65	68	20000	19000	18000	80256	80257

MATERIALS : Support made out of PA+glass fiber; chrome steel or stainless steel bearing; greaser made out of nickel plated brass; reinforcement bushings and washers made out of stainless steel AISI 304; gaskets made out of NBR rubber; cover made out of polypropylene, grey colour RAL 7042.

FEATURES: The difference from UCF/C series is lack of protection cover which can be ordered separately as an accessory; and back gasket. Assembly with shouldered and not shouldered shafts. Maximum shaft alignment error 2.5°.

PACKAGING: 8 pieces.

ON REQUEST : Antibacterial executions and versions with polypropylene + glass fiber support; protection cover in different colours and with personalized brand.