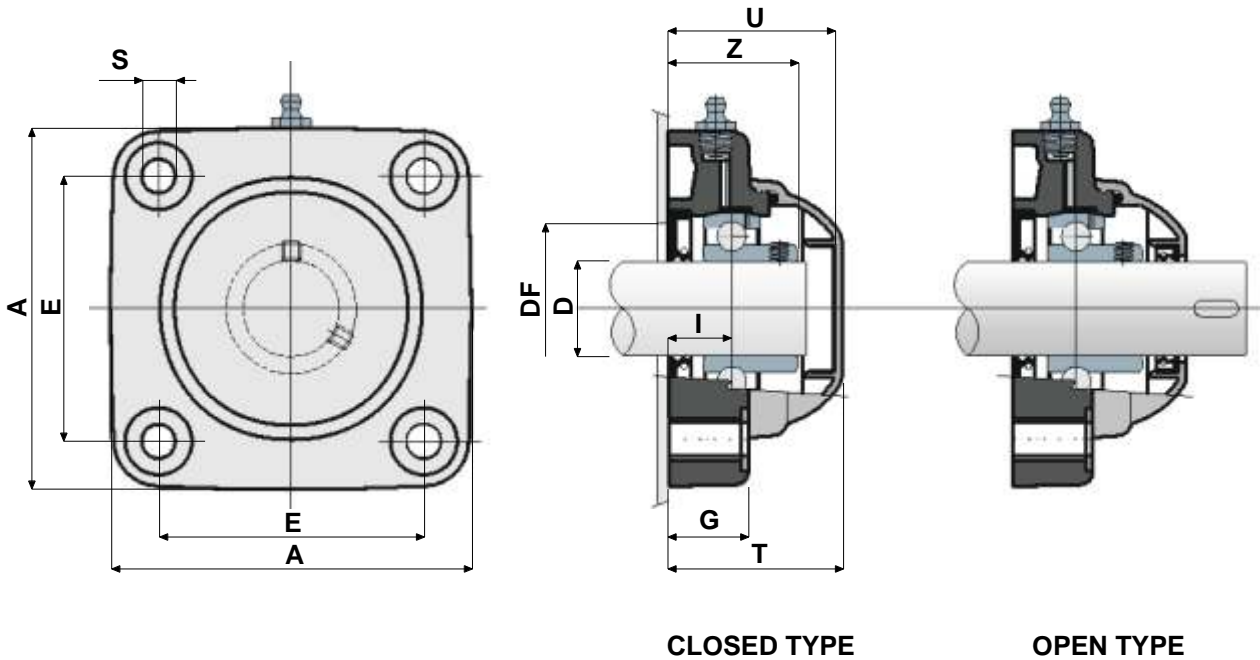


Technical data

UCF/C Series



CROME STEEL BEARING																
D	SERIES	CODES		DIMENSIONS (mm)										Bearing load (N)		Bearing support load (N)
		CLOSED TYPE	OPEN TYPE	E	A	S	G	I	Z	U	T	DF		C	C ₀	
20	UCF 204 C	80248	80249	63.5	90	10.5	19	15.5	33.5	44	46.5	Max 45	Min 40	12800	6600	16500
25	UCF 205 C	80057	80060	70	99	10.5	22	17	36	47	49	50	45	14000	7800	17000
30	UCF 206 C	80009	80005	83	113	10.5	26	20	41	54	56	60	50	19500	11300	17500
35	UCF 207 C	80058	80061	92	122	10.5	26	20	45	57	59	70	55	25500	15300	18000
40	UCF 208 C	80250	80251	102	133	10.5	26	19.5	48.5	65	68	78	65	32500	19800	18000
40	MUCF 208 C	80697	80699	83	113	10.5	26	19.5	48.5	65	68	78	65	32500	19800	18000

NEW STAINLESS STEEL BEARING AISI 440C																
D	SERIES	CODES		DIMENSIONS (mm)										Bearing load (N)		Bearing support load (N)
		CLOSED TYPE	OPEN TYPE	E	A	S	G	I	Z	U	T	DF		C	C ₀	
20	UCF 204 C	80400	80448	63.5	90	10.5	19	15.5	33.5	44	46.5	Max 45	Min 40	8300	6550	16500
25	UCF 205 C	80445	80449	70	99	10.5	22	17	36	47	49	50	45	9150	7800	17000
30	UCF 206 C	80378	80377	83	113	10.5	26	20	41	54	56	60	50	12500	11200	17500
35	UCF 207 C	80446	80450	92	122	10.5	26	20	45	57	59	70	55	16600	15300	18000
40	UCF 208 C	80447	80451	102	133	10.5	26	19.5	48.5	65	68	78	65	20000	19000	18000
40	MUCF 208 C	81057	81058	83	113	10.5	26	19.5	48.5	65	68	78	65	20000	19000	18000

MATERIALS : Support made out of PA+glass fiber; chrome steel or stainless steel bearing; greaser made out of nickel plated brass; reinforcement bushings and washers made out of stainless steel AISI 304; gaskets made out of NBR rubber; cover made out of polypropylene, grey colour RAL 7042.

FEATURES: Full protection of bearing against external agents. Assembly with not shouldered shafts. Maximum shaft alignment error 2.5°.

PACKAGING: 8 pieces.

ON REQUEST : Antibacterial executions and versions with polypropylene + glass fiber support; protection cover in different colours and with personalized brand.