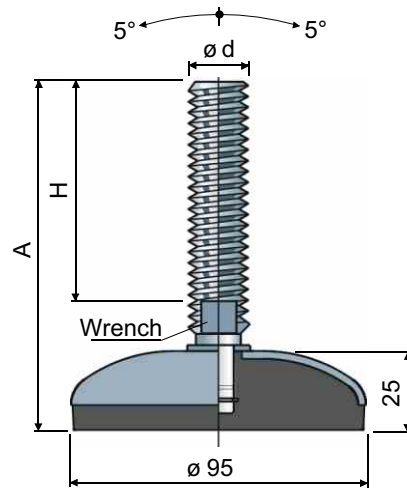




# Cleanable feet base in stainless steel

Part. **90**     $\varnothing$  **95**



$\varnothing d$	A mm	H mm	Wrench mm	Spindle and base in stainless steel AISI 304		Max static load N
				Code/Codice		
M12	109	70	10	90 / 80023		15000
M14	148	108	12	90 / 7859		
	102	58	13	90 / 7771		
M16	163	119	13	90 / 7931		18000
	189	145	13	90 / 7772		
	245	201	13	90 / 7773		
M20	153	107	17	90 / 7774		
	181	135	17	90 / 7775		
	203	157	17	90 / 7776		
M24	139	90	19	90 / 7777		
	176	127	19	90 / 7778		
	211	162	19	90 / 7779		
M30	174	125	24	90 / 7780		
	234	185	24	90 / 7781		

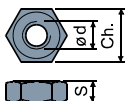
**Anti-slip pad material:** 90 shore NBR rubber.

**Packaging:** 8 pieces.

**Features:** Co- moulded anti-slip pad allows a perfect adherence with steel base.  
Consequent absence of internal cavities makes foot extremely cleanable.

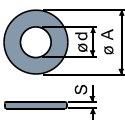
## Accessories

**Nuts UNI 5588-65 - Packaging:** 24 pieces.



$\varnothing d$	M14	M16	M20	M24	M30
Smm	11	13	16	19	24
Ch. mm	22	24	30	36	46
Stainless steel code	7274	7277	7278	7280	7282

**Washers UNI 6592-69 - Packaging:** 24 pieces.



$\varnothing d$ mm	15	17	21	25	31
Smm	2,5	3	3	4	4
$\varnothing A$ mm	28	30	37	44	56
Stainless steel code	7288	7291	7292	7294	7296

## On request

**Spindles with:** Sunk hexagon head • second wrench seat head • hexagon wrench seat • threads with other pitches and lengths.

**Packaging:** not standard.

**Assembling of:** nuts • washers.