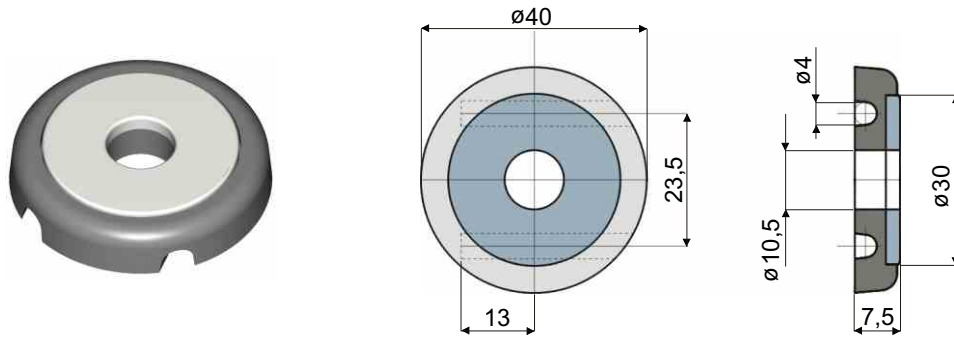


Mounting plate

(for drip tray support)

Part. **235**



Code/Codice
235 / 80778

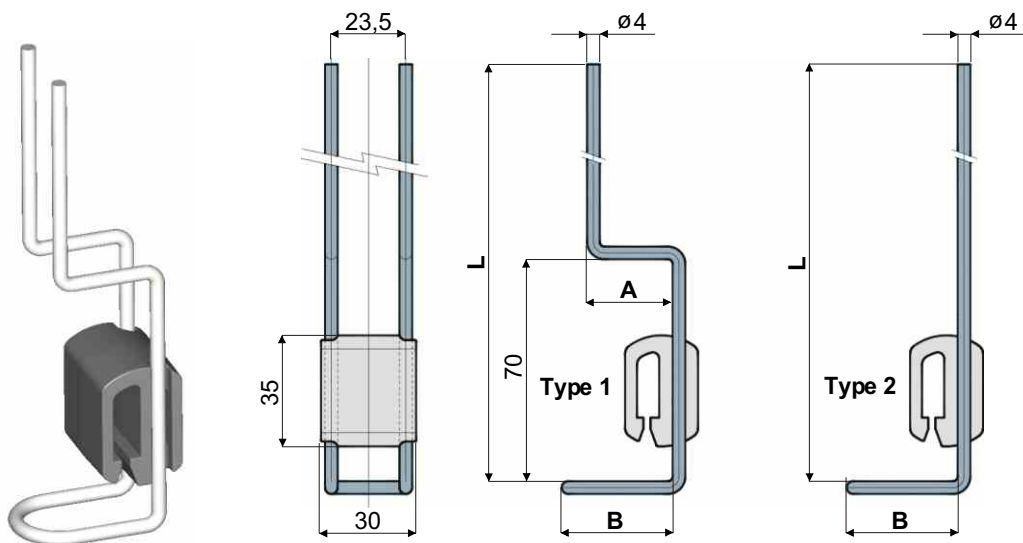
MATERIALS: Plate made out of reinforced polyamide, washer made out of stainless steel AISI 304.

FEATURES: For application on conveyor side to fasten drip tray support.

PACKAGING: 24 pieces.

Part. **236**

Drip tray support



L	B	A	Type 1
(mm)			Code/Codice
180	35	27	236 / 80779

L	B	Type 2
(mm)		Code/Codice
200	35	236 / 80780

MATERIALS: Support elements made out of stainless steel AISI 304, body of coupling made out of reinforced polyamide.

FEATURES: To use for support of drip tray

PACKAGING: 24 pieces.

ON REQUEST:

Drip tray support: Supplied in different shapes and sizes.

Packaging: Not standard.