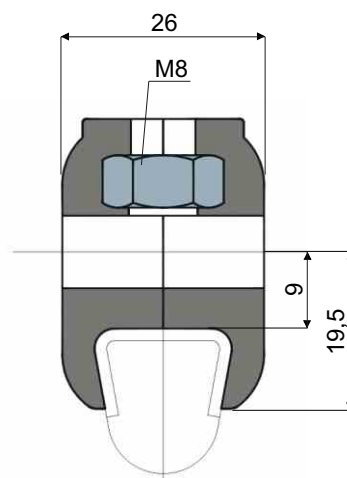
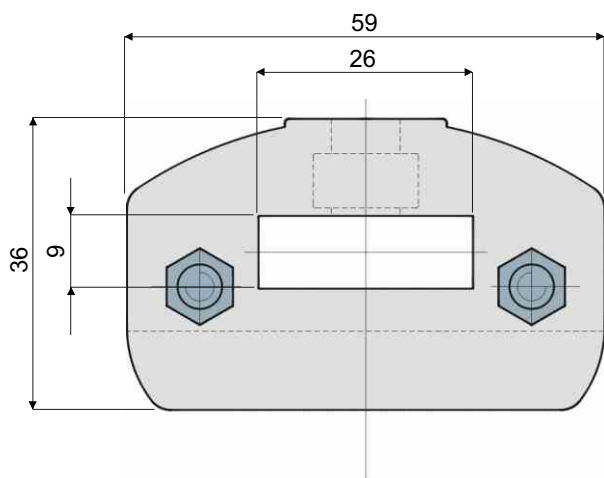
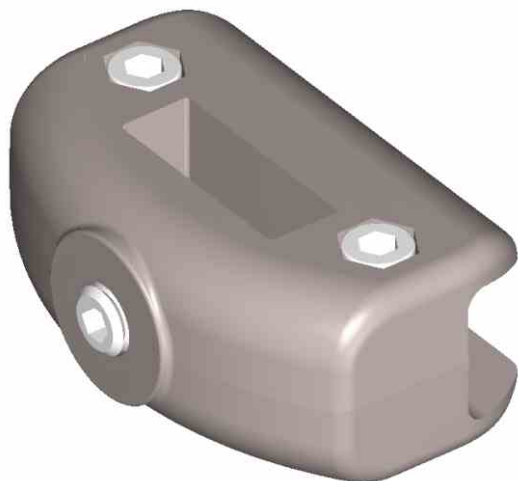


# Guide rail clamp

(for trapezoidal rail )

Part. 232



Code/Codice
232 / 80688

**MATERIALS:** Clamp made out of reinforced polyamide, screws made out of stainless steel AISI 304, nuts made out of nickel plated brass.

**FEATURES:** To use with flat support sized 25x8

**PACKAGING:** 24 pieces.

#### ON REQUEST:

**Clamps:** In reinforced polypropylene, other colours.

**Packaging:** Not standard.