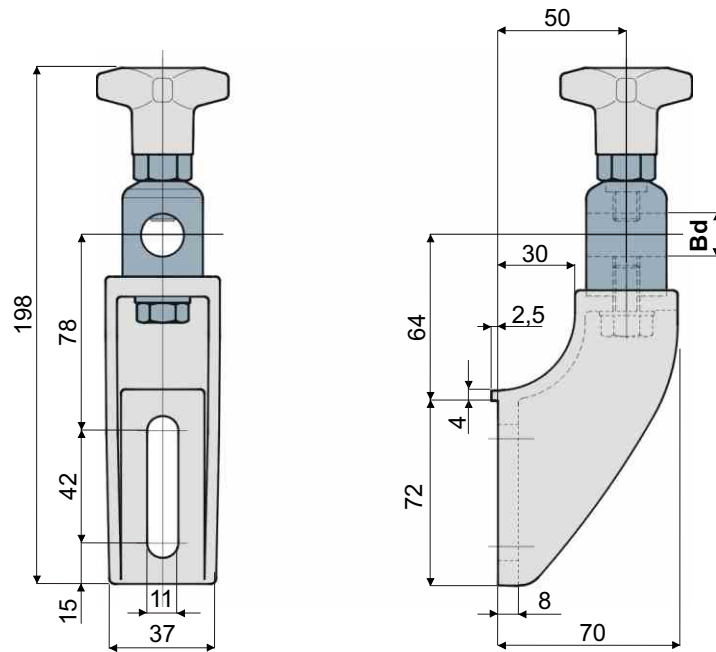


Guide rail bracket

(with metal adjustable head)

Part. 216



Bd Bore for pins of (mm)	Head made out of nickel plated brass	Head made out of stainless steel
	Code/Codice	Code/Codice
14 - 16	216 / 80758	216 / 80759

MATERIALS: Bracket and knob made out of reinforced polyamide, head made out of stainless steel AISI 304 or nickel plated brass, hexagonal insert made out of nickel plated brass, screw and washer made out of stainless steel AISI 304.

FEATURES: Possibility to use pins with diameter 14 and 16 mm. Max tightening torque 4 kgm.

PACKAGING: 24 pieces.

ON REQUEST:

Brackets: In reinforced polypropylene, other colours.

Packaging: Not standard.