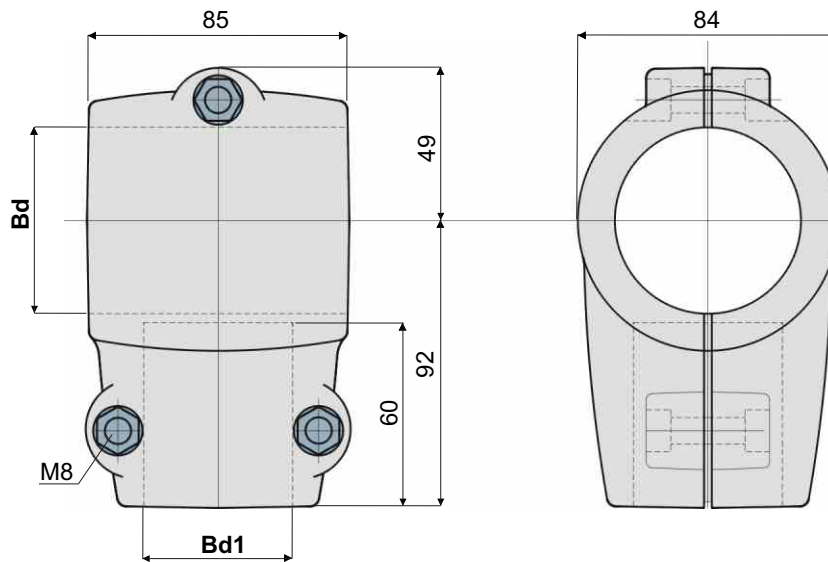


Part. 210



Bd Bores for tubes of (mm) (Inches)	Bd1 (mm) (Inches)	Zinc plated bolts and nuts	Stainless steel bolts and nuts (AISI 304)
		Code/Codice	Code/Codice
60,3 2"	48,3 1"1/2	210 / 80638	210 / 80639
60,3 2"	42,4 1"1/4	210 / 80640	210 / 80641
48,3 1"1/2	48,3 1"1/2	210 / 80642	210 / 80643
48,3 1"1/2	42,4 1"1/4	210 / 80644	210 / 80645
42,4 1"1/4	42,4 1"1/4	210 / 80646	210 / 80647

MATERIALS: Joint made out of reinforced polyamide, bolts and nuts made out of stainless steel or zinc plated steel.

FEATURES: Max tightening torque 2 kgm

PACKAGING: 8 pieces

ON REQUEST:

Joint: In reinforced polypropylene, other colours

Packaging: Not standard

Assembling of: Screws and nuts